

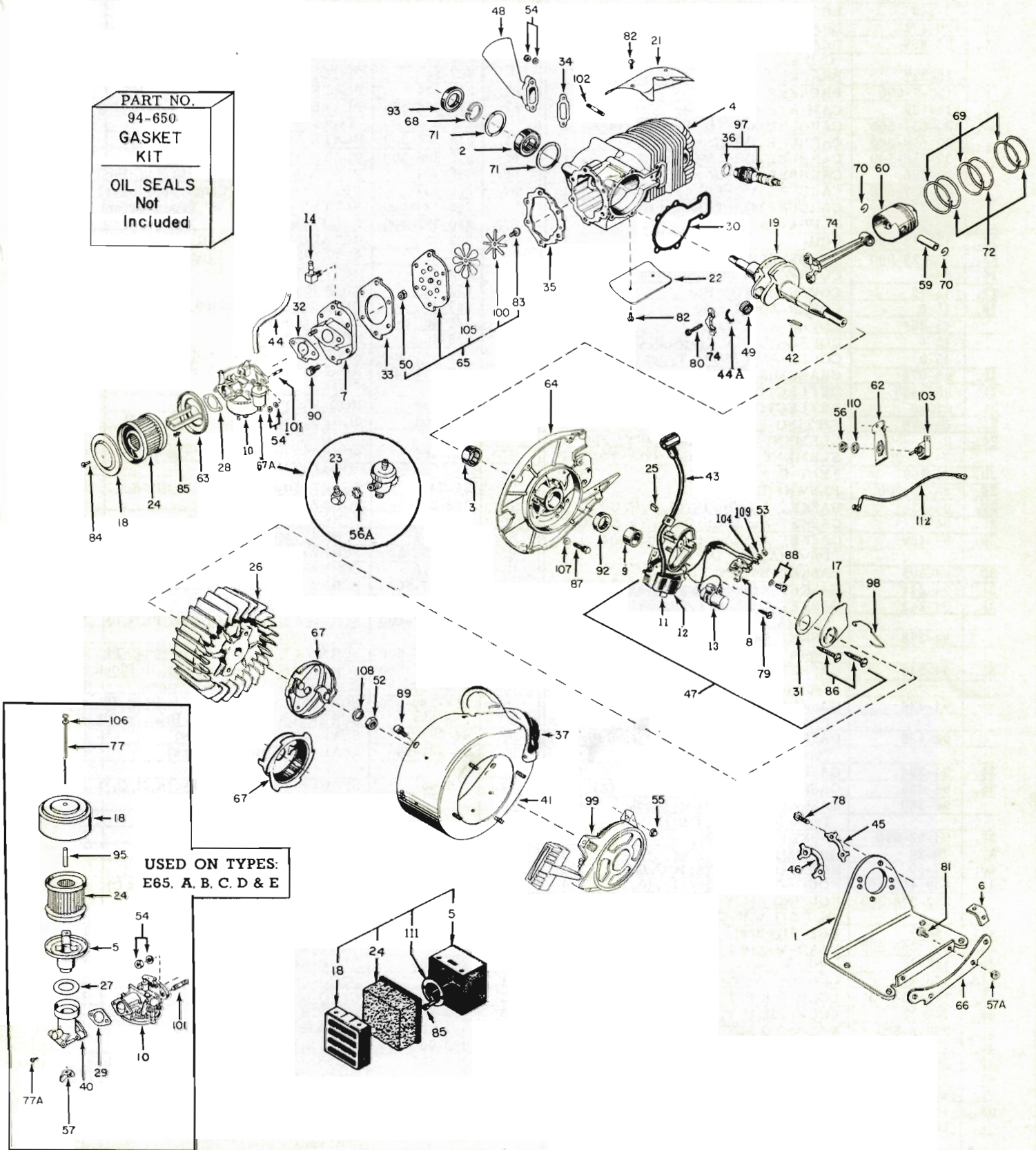


BASIC PARTS LIST

E65 & E65-1000

SECTION II DIVISION
E65
E65-1000
ISSUED FEB. 1960
REVISED AUG. 1966

PART NO.
94-650
GASKET
KIT
OIL SEALS
Not
Included



CLINTON ENGINES CORPORATION

MAQUOKETA, IOWA

PRINTED IN U.S.A.

E65 & 65-1000 BASIC PARTS LIST

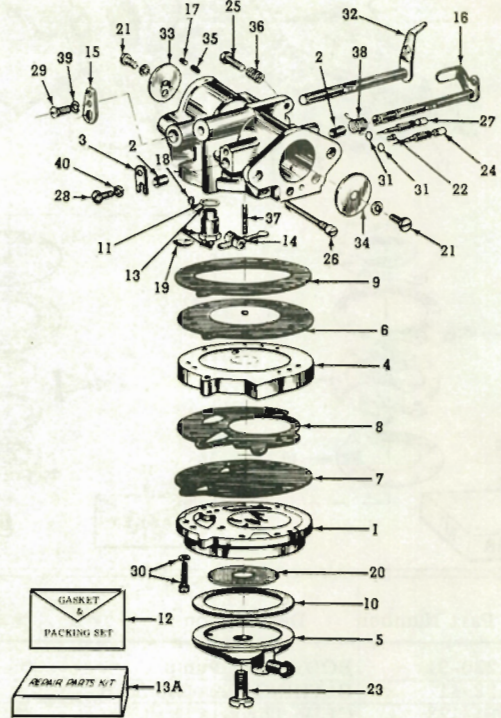
Ref. No.	Part Number	Description	Qty.	Ref. No.	Part Number	Description	Qty.
1.	26-539	BASE-Engine Mounting	1	55.	183-25-500	NUT & L'W-Recoil Mounting Types (D, E, F & G)	4
2.	20-4	BEARING-Ball	1	56.	183-21	NUT-Shorting Switch to Plate	2
3.	20-198-990	BEARING-Needle	1	56A.	183-256	NUT-Lock (Fuel Pump)	1
4.	22-804	BLOCK-Cylinder	1	57.	183-66	NUT-Wing Types (A, B, C, D & E)	1
5.	2-18-500	BODY-Air Cleaner Mounting Types (A, B, C, D & E)	1	57A.	183-33	NUT	4
	2-144	BODY-Air Cleaner Type F & G	1	59.	203-61	PIN-Wrist	1
6.	26-472	BRACE-Engine Mounting Support	2	60.	204-54	PISTON	1
7.	26-487	BRACKET-Induction Types (A, B, C, D & E)	1		206-54	PISTON-.010 O.S.	
	26-527	BRACKET-Induction Types (F & G)	1		207-54	PISTON-.020 O.S.	
8.	135-7-500	BREAKER ASS'Y	1	62.	215-134	PLATE-Shorting Switch Mounting	1
9.	157-29	CAM-Magneto Breaker	1	63.	215-396-500	PLATE ASS'Y-Air Cleaner Mounting Types (F & G)	1
10.	39-657-500	CARBURETOR-Tillotson HL-44-A	1	64.	215-366-500	PLATE ASS'Y-Bearing	1
	39-659-500	CARBURETOR-Brown 3-CP	1	65.	215-496-500	PLATE ASS'Y-Reed	1
	39-658-500	CARBURETOR-LMG-140-X	1	66.	215-407	PLATE-Mounting Brkt. to Eng. Base	1
	39-596	CARBURETOR-Brown CS-15	1	67.	265-197	PULLEY-Starter (Cam type Starter)	1
	39-627-500	CARBURETOR-Tillotson HL-13-A	1		265-127-500	PULLEY-Starter ("S" Type Starter)	1
	39-772-500	CARBURETOR-Tillotson HC-11-A	1	67A.	220-122-500	PUMP-Fuel	1
11.	81-20	CLIP-Core	1	68.	232-73	RETAINER-Crankshaft	1
12.	135-13-990	COIL	1	69.	148-31	RETAINER-Piston Ring	3
13.	135-29-990	CONDENSER	1	70.	232-40	RETAINER-Wrist Pin	2
14.	69-5	CONNECTOR-Impulse Line	1	71.	232-148	RING-Retaining	2
17.	45-15	COVER-Breaker Box	1	72.	233-45	RING-Piston, Standard	3
18.	45-6	COVER-Air Cleaner	1		235-45	RING-.010 O.S.	
	45-381	COVER-Air Cleaner	1		237-45	RING-.020 O.S.	
	45-6	COVER-Air Cln. Ty. (A, B, C, D & E)	1		233-141-500	RING-Chrome Standard	
	45-5	COVER-Air Cleaner Types (F & G)	1		237-141-500	RING-Chrome .020 O.S.	
19.	46-674	CRANKSHAFT	1	74.	245-118	ROD ASS'Y-Connecting	1
21.	259-455	DEFLECTOR-Air	1	77.	258-163	SCREW-Air Cleaner Types (A, B, C, D & E)	1
22.	259-6	DEFLECTOR-Air	1	77A.	258-105	SCREW-Air Cleaner Types (A, B, C, D & E)	2
23.	69-278	FITTING-Elbow (Carb.)	1	78.	24-72	SCREW-Bracket Ass'y to Block	4
24.	2-28-990	ELEMENT-Air Cleaner Dry Type	1	79.	258-299	SCREW-Condenser	1
	2-175-990	ELEMENT-Air Cleaner Poly-Foam	1	80.	258-901	SCREW-Connecting Rod	2
25.	94-189	FELT-Cam Wiper	1	81.	258-602	SCREW-Mounting Base to Brkt.	4
26.	83-73-500	FLYWHEEL ASS'Y	1	82.	258-936-500	SCREW-Deflector to Block	4
27.	94-11	GASKET-Air Cln. Ty. (A, B, C, D & E)	1	83.	258-516	SCREW-Reed Valve to Plate	1
28.	94-13	GASKET-Air Cln. to Carb. Ty. (F & G)	1	84.	258-47-500	SCREW & L'W-Air Cleaner Cov. to Bracket Types (F & G)	1
29.	94-459	GASKET-Air Horn to Carburetor Types (A, B, C, D & E)	1	85.	258-102-500	SCREW & L'W-Air Cleaner Plate to Carburetor	2
30.	94-105	GASKET-Bearing Plate	1	86.	258-108-500	SCREW & L'W-Magneto to Brng. Plt.	2
31.	94-241	GASKET-Breaker Box Cover	1	87.	258-587-500	SCREW ASS'Y-Bearing Plt. to Block	6
32.	94-242	GASKET-Carb. to Induction Brkt. Type (A)	2	88.	258-297	SCREW & L'W-Breaker Points	1
	94-378	GASKET-Carb to Induction Brkt. Types (B, C, D, E, F & G)	1	89.	258-280-500	SCREW ASS'Y-Blw. Hsg. to Brng. Plt.	4
33.	94-312	GASKET-Induction Brkt. to Reed Plt. Type (A)	1	90.	258-834	SCREW ASS'Y-Induction Brkt. to Blk.	6
	94-438	GASKET-Induction Brkt. to Reed Plt. Types (B, C, D & E)	1	92.	94-257	SEAL-Oil (Bearing Plate)	1
	94-438	GASKET-Induction Brkt. to Reed Plt. Types (F & G)	1	93.	94-301-990	SEAL-Oil (Cylinder Block)	1
34.	94-394	GASKET-Muffler	1	95.	304-461	SPACER-Air Cleaner Ty. (A, B, C, D & E)	1
35.	94-438	GASKET-Reed Plt. to Blk. Ty. (A)	1	97.	267-73-500	SPARK PLUG	1
	94-360	GASKET-Reed Plate to Block Types (B, C, D, E, F & G)	1	98.	263-10	SPRING-Breaker Box Cover	1
36.	94-92-990	GASKET-Spark Plug	1	99.	265-159-500	STARTER-Recoil Types (A, B & C)	1
37.	70-28	GROMMET-Spark Plug	1		265-200-500	STARTER-Recoil, Cam Type Types (D, E, F & G)	1
40.	69-50	HORN-Air Types (A, B, C, D & E)	1		265-126-500	STARTER-"S" Type Recoil Types (D, E, F & G)	1
41.	259-468-500	HOUSING ASS'Y-Blw. Ty. (A, B, & C)	1	100.	293-165	STOP-Reed Valve	1
	259-396-500	HOUSING ASS'Y-Blower Types (D, E, F & G with Cam type Starter)	1	101.	24-11	STUD-Carb. Mounting	2
42.	148-4	KEY-Flywheel	1	102.	24-11	STUD-Muffler Mounting	2
43.	307-266-500	LEAD-Magneto Hi-Tension	1	103.	266-53	SWITCH-Shorting	1
44.	158-25	LINE-Impulse	1	104.	307-230	TERMINAL-Jamtitte Breaker Pts.	1
44A.	136-77	LINER-Connecting Rod	2	105.	293-96	VALVE-Reed Plate	1
45.	148-43-500	LOCK-Tab P. T. O. Side	1	106.	304-136	WASHER-Air Cln. Ty. (A, B, C, D & E)	1
46.	148-27	LOCK-Tab P. T. O. Side	1	107.	304-134	WASHER-Bearing Plt. to Blk.	12
47.	268-6-500	MAGNETO ASS'Y	1	108.	304-25	WASHER-Flywheel	1
48.	170-121	MUFFLER	1	109.	304-290	WASHER-Terminal Breaker Pts.	1
49.	20-197-500	NEEDLE ASS'Y	1	110.	304-368	WASHER-Shorting Switch	1
50.	183-141	NUT-Lock (Reed Vlv. to Reed Plt.)	1	111.	304-562	WASHER-Air Cleaner	1
52.	183-158	NUT-Flywheel	1	112.	307-120-500	WIRE ASS'Y-Shorting	1
53.	183-21	NUT-Terminal	1				
54.	183-29-500	NUT & L'W-(2) Muffler Mounting (2) Carburetor Mounting	4				

CARBURETORS

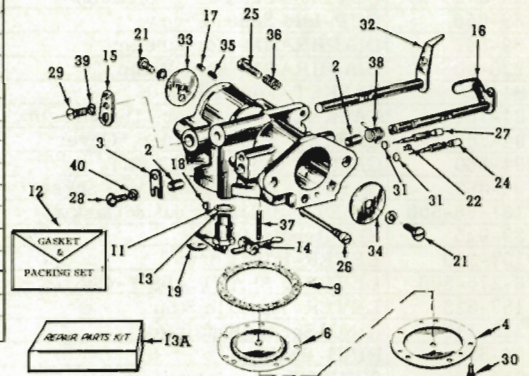
Ref. No.	Part Number	Description	39-627-500 (401042) & 39-657-500 (402735) & 39-772-500 (402735)		
			39-627-500 (401042)	39-657-500 (402735)	39-772-500 (402735)
			39-627-500 (401042) HL-13-A 39-657-500 (402735) HL-44-A 39-772-500 HC-11-A		
1.	220-74	BODY-Fuel Pump	1	1	
2.	28-28	BUSHING-Throttle Shaft	2	2	2
3.	81-103	CLIP-Throttle Shaft	1	1	1
4.	45-21	COVER-Diaphragm	1	1	
5.	45-397	COVER-Diaphragm			1
6.	45-242	COVER-Fuel Pump	1	1	
7.	*39-629	DIAPHRAGM-Fuel	1	1	1
8.	*220-75	DIAPHRAGM-Fuel Pump	1	1	
9.	94-228	GASKET-Fuel Pump	1	1	
10.	94-287	GASKET-Fuel Pump Cover	1	1	1
11.	94-366	GASKET-Fuel Strainer	1	1	
12.	94-358	GASKET-Inlet Seat	1	1	1
13.	*94-290-500	GASKET & PACKING SET	1	1	1
13A.	*181-63-500	INLET NEEDLE & SEAT	1	1	1
	39-890	KIT-Repair Parts		1	
	39-897	KIT-Repair Parts	1		
	39-913	KIT-Repair Parts			1
14.	*157-282-500	LEVER-Inlet Control	1	1	1
15.	157-283	LEVER-Throttle	1	1	1
16.	6-269-500	LEVER-Throttle (Shaft)		1	1
	6-245-500	LEVER-Throttle (Shaft)	1		
17.	216-63	PIN-Choke Friction	1	1	1
18.	*216-68	PLUG-Body Channel	1	1	1
19.	*216-31	PLUG-Body (Welch)	1	1	1
20.	*257-64	SCREEN-Fuel Inlet	1	1	
21.	258-61-500	SCREW-Screw Shutter	2	2	2
22.	258-553	SCREW-Drain	1	1	1
23.	*258-646	SCREW-Pump Cover	1	1	
24.	*39-891	SCREW-Idle Adjustment		1	1
	*258-644	SCREW-Idle Adjustment	1		
25.	*258-654	SCREW-Idle Speed Reg.	1	1	1
26.	*258-653	SCREW-Inlet Control Lever	1	1	1
27.	*39-892	SCREW-Main Adjustment		1	1
	*258-645	SCREW-Main Adjustment	1		
28.	258-652	SCREW-Thr. Shaft Retaining	1	1	1
29.	*258-651	SCREW-Throttle Lever	1	1	1
30.	258-647-500	SCREW-Cover (Body)	6	6	
	258-941	SCREW-Cover (Body)			6
31.	94-279	SEAL-Ring (Adj. Screw)	2	2	2
32.	6-268-500	SHAFT ASS'Y-Choke		1	1
	6-244-500	SHAFT ASS'Y-Choke	1		
33.	39-241	SHUTTER-Choke	1	1	1
34.	293-102	SHUTTER-Throttle	1	1	1
35.	263-239	SPRING-Choke Friction	1	1	1
36.	*263-102	SPRING-Idle Speed Screw	1	1	1
37.	263-241	SPRING-Inlet Tension	1	1	1
38.	*263-240	SPRING-Throttle Shaft	1	1	1
39.	*304-390	WASHER-Thr. Lever Lock	1	1	1
40.	304-315	WASHER-Thr. Shaft Lock	1	1	1

* Indicates parts in Repair Kit.

39-627-500 (401042) & 39-657-500 (402735)



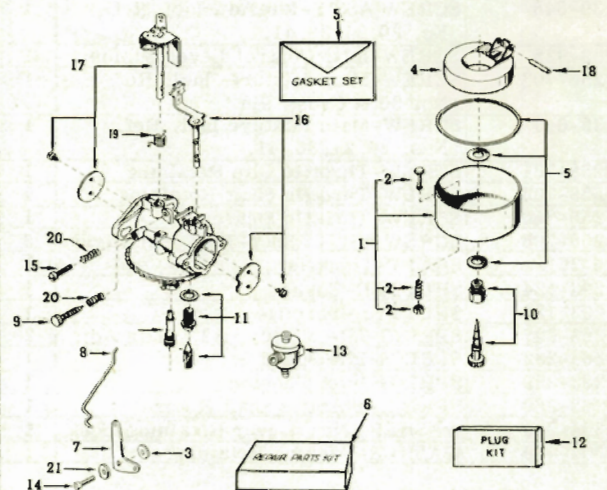
39-772-500



39-658-500 (403691) LMG 140 X

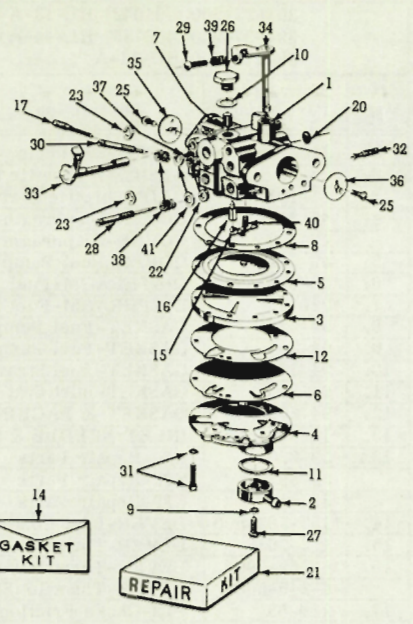
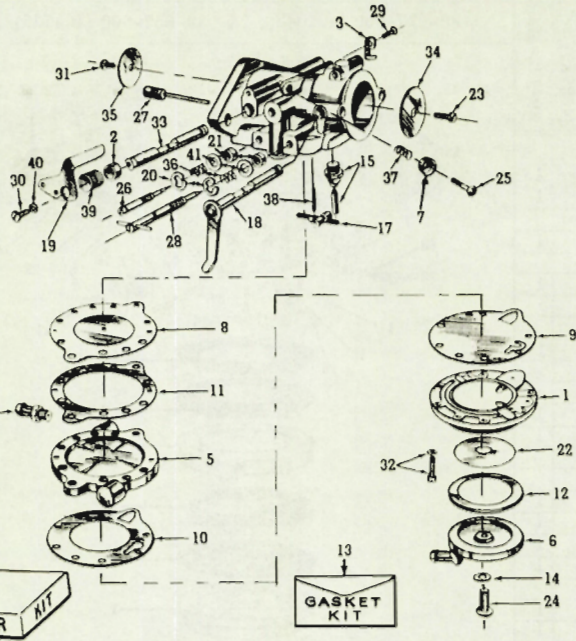
Ref. No.	Part Number	Description	Qty.
1.	25-16-500	BOWL & DRAIN ASS'Y	1
2.	39-909	BOWL-Drain Ass'y	1
3.	28-49	BUSHING	1
4.	82-2-500	FLOAT & LEVER ASS'Y	1
5.	*39-928	GASKET KIT	1
6.	39-905	CARBURETOR REPAIR KIT	1
7.	157-324	LEVER-Bell Crank	1
8.	159-122	LINK-Connector	1
9.	*181-2	NEEDLE-Idle Adj.	1
10.	*181-5-500	NEEDLE-Power Adj.	1
11.	*293-163-500	NEEDLE & SEAT ASS'Y	1
12.	39-938	PLUG KIT	1
13.	220-122-500	PUMP ASS'Y-Fuel	1
14.	258-763	SCREW-Bell Crank	1
15.	258-60	SCREW-Throttle	1
16.	6-444	SHAFT KIT-Choke	1
17.	6-457	SHAFT KIT-Throttle	1
18.	*6-195	SHAFT-Float Hinge	1
19.	263-84	SPRING-Throttle Return	1
20.	263-82	SPRING-Compression	2
21.	304-475	WASHER-Bell	1

* Indicates parts in Repair Kit



39-596-500 CARBURETOR (Brown 15CS)

39-659-500 CARBURETOR (Brown 3 CP)



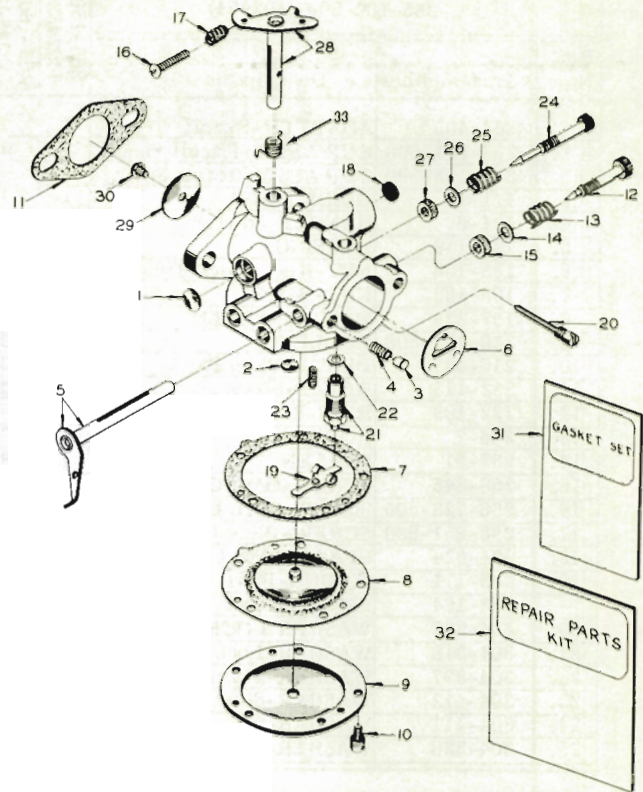
Ref. No.	Part Number	Description	Qty.
1.	220-91	BODY-Fuel Pump	1
2.	28-41	BUSHING-Throttle Shaft	2
3.	*81-123	CLIP-Throttle Shaft	1
4.	69-203	CONNECTOR	1
5.	45-272	COVER-Fuel Pump Diaphragm	1
6.	45-273	COVER-Fuel Pump, Strainer	1
7.	39-656	CUP-Idle Speed Screw	1
8.	39-647	DIAPHRAGM-Carburetor	1
9.	220-90	DIAPHRAGM-Fuel Pump	1
10.	94-365	GASKET-Fuel Pump	1
11.	94-364	GASKET-Carburetor, Diaphragm	1
12.	94-366	GASKET-Fuel Strainer, Cover	1
13.	*94-560	GASKET & PACKING SET	1
14.	94-363	GASKET-Fuel Pump Cov. Screw	1
15.	*181-66-500	INLET NEEDLE-Seat & Gasket	1
16.	39-925	KIT-Repair Parts	1
17.	*157-300	LEVER-Inlet Control	1
18.	6-275-500	LEVER & SHAFT ASS'Y-Choke	1
19.	157-323	LEVER-Throttle Stop	1
20.	232-110	RING-Spring Retaining	1
21.	94-324	RING-Packing	1
22.	*257-79	SCREEN-Fuel Inlet	1
23.	258-700	SCREW-Choke Shutter	1
24.	258-707	SCREW-Fuel Pump, Cover	1
25.	258-705	SCREW-Idle Speed	1
26.	*258-704	SCREW-Idle Adj. Incl. Ref. No. 20	1
	39-648	SCREW ASS'Y-Idle Adj. Incl. Ref. No. 20, 21, 36, 41.	1
27.	*39-925	SCREW-Inlet Control Lever Pinion	1
28.	*258-703	SCREW-Main Mixture Incl. Ref. No. 20 & Cross Pin	1
	39-649	SCREW-Main Mixture Incl. Ref. Nos. 20, 21, 36, 41.	1
29.	*258-701	SCREW-Throttle Clip Retaining	1
30.	*258-702	SCREW-Throttle Shaft Retaining	1
31.	258-760	SCREW-Throttle Shutter	1
32.	258-708	SCREW & L'WASS'Y-Fuel Pump Body	6
33.	6-251	SHAFT-Throttle	1
34.	293-124	SHUTTER-Choke	1
35.	293-123	SHUTTER-Throttle	1
36.	*263-257	SPRING-Idle Mixture Adj. Main Adj.	2
37.	263-292	SPRING-Idle Speed Screw	1
38.	*263-259	SPRING-Inlet Tension	1
39.	*263-260	SPRING-Throttle Shaft Return	1
40.	*304-390	WASHER-Thr. Lever Retaining Lock	1
41.	*304-419	WASHER-Packing Retaining	1

* Indicates parts in Repair Kit.

Ref. No.	Part Number	Description	Qty.
1.	28-41	BUSHING-Throttle	1
2.	69-226	CONNECTOR-Fuel Inlet	1
3.	45-294	COVER-Diaphragm	1
4.	220-115	COVER-Fuel Pump	1
5.	39-661-500	DIAPHRAGM-Carburetor	1
6.	220-116	DIAPHRAGM-Fuel Pump	1
7.	*2-131	FELT-Filter	1
8.	94-304	GASKET-Diaphragm Cov.	1
9.	94-363	GASKET-Fiber	1
10.	94-305	GASKET-Filter Plug Screw	1
11.	94-306	GASKET-Fuel Inlet Connector	1
12.	94-307	GASKET-Fuel Pump Diaphragm	1
13.	94-308	GASKET-Inlet Seat (Not Illus.)	1
14.	*94-561	GASKET & PACKING SET	1
15.	*157-300	LEVER-Fuel Inlet	1
16.	*181-66-500	NEEDLE & SEAT ASS'Y-Fuel Inlet	1
17.	*203-159-500	PIN-Lever	1
18.	*216-82	PLUG-Welch (Not Illus.)	1
19.	*216-83	PLUG-Welch (Not Illus.)	1
20.	*216-81	PLUG-Welch	1
21.	39-901	REPAIR KIT-Carburetor	1
22.	94-324	RING-Packing	2
23.	232-110	RING-Spring Retaining	2
24.	*257-83	SCREEN-Filter (Not Illus.)	1
25.	*258-702	SCREW-Choke & Thr. Shutter	2
26.	*258-733	SCREW-Filter Plug	1
27.	258-734	SCREW-Fuel Connector	1
28.	*39-669-500	SCREW ASS'Y IDLE	1
29.	258-705	SCREW-Idle Speed Adj.	1
30.	*39-668-500	SCREW ASS'Y High Speed	1
31.	258-708	SCREW & WASHER ASS'Y-Body	4
32.	*39-665	SEAT-Idle Metering Jet	1
33.	6-274-500	SHAFT & LEVER ASS'Y-Choke	1
34.	6-263-500	SHAFT & LEVER ASS'Y-Throttle	1
35.	293-124	SHUTTER-Choke	1
36.	293-123	SHUTTER-Throttle	1
37.	263-279	SPRING-Choke Friction	1
38.	*263-257	SPRING-Compression	2
39.	263-258	SPRING-Compression (Idle Speed)	1
40.	*263-259	SPRING-Lever Tension	2
41.	*304-444	WASHER-Packing	2

* Indicates parts in Repair Kit.

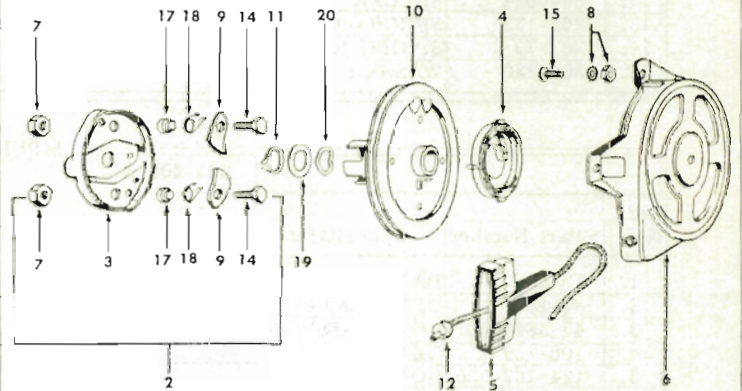
Ref. No.	Part Number	Description	39-766-990 (HN-3A) 39-828-500 (HN-4A) → 39-875-500 (HN-5A)		
			39-766-990	39-828-500	39-875-500
1.	*	PLUG-Order Repair Kit			
2.	*	PLUG-Order Repair Kit			
3.	39-694	PIN-Choke Friction	1	1	1
4.	263-239	SPRING-Choke Friction	1	1	1
5.	6-416-500	SHAFT & LEVER ASS'Y Choke	1	1	1
6.	293-176	SHUTTER-Choke	1	1	1
7.	94-529	GASKET-Diaphragm	1	1	1
8.	*39-860	DIAPHRAGM	1	1	1
9.	45-397	PLATE-Diaphragm Cover	1	1	1
10.	258-941	SCREW-Diaphragm Cover	5	5	5
11.	94-30	GASKET-Flange	1	1	1
12.	*181-89	SCREW-Idle Adj.	1	1	1
13.	*263-216	SPRING-Idle Adj.	1	1	1
14.	304-560	WASHER-Idle Adj. Screw	1	1	1
15.	94-450	PACKING-Idle Adj. Screw	1	1	1
16.	*258-944	SCREW-Idle Speed Reg.	1		1
	258-942	SCREW-Idle Speed Reg.		1	
17.	*263-102	SPRING-Idle Speed Reg.	1		1
	263-354	SPRING-Idle Speed Reg.		1	
18.	*257-95	SCREEN-Inlet Connection	1	1	1
19.	*157-282-500	LEVER-Inlet Control	1	1	1
20.	*258-943	SCREW-Inlet Control Lever Pinion	1	1	1
21.	*293-179	SEAT & GASKET-Inlet Needle	1	1	1
22.	94-358	GASKET-Inlet Seat	1	1	1
23.	*263-241	SPRING-Inlet Tension	1	1	1
24.	*181-90	SCREW-Main Adj.	1	1	1
25.	*263-216	SPRING-Main Adj. Screw	1	1	1
26.	304-560	WASHER-Main Adj. Screw	1	1	1
27.	94-450	PACKING-Main Adj. Screw	1	1	1
28.	6-418-500	LEVER & SHAFT-Throttle	1		1
	6-417-500	LEVER & SHAFT-Throttle		1	
29.	293-177	SHUTTER-Throttle	1	1	1
30.	*258-61-500	SCREW & L'W-Throttle Shutter	1	1	1
31.	*39-933	GASKET & PACKING SET	1	1	1
32.	39-935	REPAIR KIT	1	1	1
33.	*263-355	SPRING-Throttle Shaft	1		1



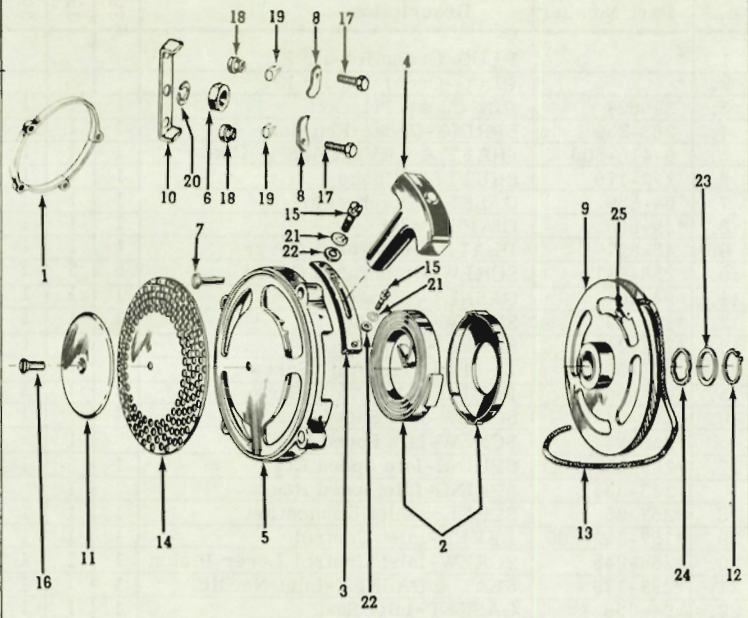
* Indicates parts in Repair Kit.

STARTERS

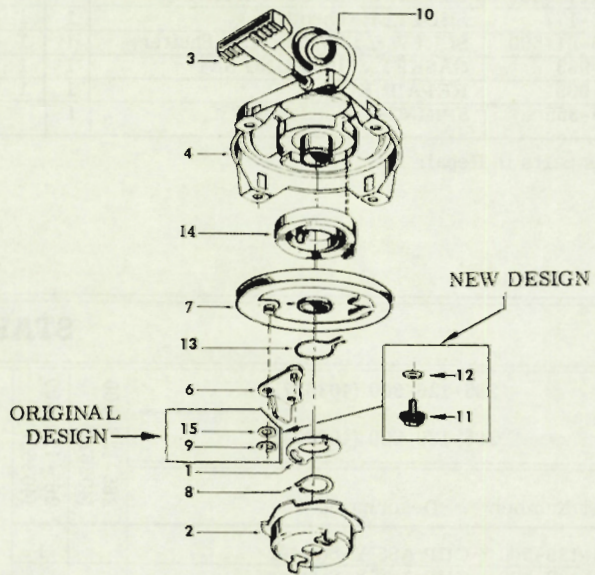
Ref. No.	Part Number	Description	265-126-500 (403627) → 265-130-500 (403604)	
			265-126-500 (403627)	265-130-500 (403604)
2.	265-129-500	CUP ASS'Y-Starter		1
	265-127-500	CUP ASS'Y-Starter	1	
3.	265-14	CUP-Starter	1	1
4.	265-11-500	CUP ASS'Y-Incl. Recoil Spring	1	
	265-201-500	CUP ASS'Y-Incl. Recoil Spring		1
5.	121-6	HANDLE	1	1
6.	124-29-500	HOUSING ASS'Y	1	
	124-31-500	HOUSING ASS'Y		1
7.	183-56	NUT-Lock	2	2
8.	183-25-500	NUT & L'W ASS'Y	4	4
9.	157-239	PAWL	2	2
10.	219-84-500	PULLEY ASS'Y-Starter Sheave	1	1
11.	232-147	RING-Retaining	1	1
12.	246-7	ROPE-58" Standard Length	1	1
14.	258-180	SCREW-Hex. Hd. Cap	2	2
15.	258-191	SCREW-Projection Weld	4	4
17.	304-82	SPACER-Pawl	2	2
18.	263-164	SPRING-Pawl	2	
	263-171	SPRING-Pawl		2
19.	304-547	WASHER-Retaining	1	1
20.	304-170	WASHER-Wave	1	1



265-159-500 (402453)			265-159-500 (402453)	265-160-500 (402454)
265-160-500 (402454)				
Ref. No.	Part Number	Description		
1.	304-405	ADAPTER-Recoil	1	1
2.	263-251-500	CUP ASS'Y-Recoil Spring		1
	265-185-500	CUP ASS'Y-Recoil Spring	1	
3.	111-13	GUIDE ROPE	1	1
4.	121-6	HANDLE-Starter	1	1
5.	124-119	HOUSING	1	1
6.	183-158	NUT-Hex. (Lock Type)	1	1
7.	183-182	NUT-Barrel	4	4
8.	157-239	PAWL STARTER	2	2
9.	219-131-500	PULLEY	1	1
10.	215-437	PLATE-Base Pawl	1	1
11.	232-113	RETAINER-Screen	1	1
12.	232-109	RING-Retaining	1	1
13.	246-7	ROPE	1	1
14.	257-81	SCREEN	1	1
15.	258-845	SCREW-(Pull Guide)	2	2
16.	258-723-500	SCREW & OIL CUP	1	1
17.	258-851-500	SCREW-Plate to Flywheel	2	2
18.	304-524	SPACER-Pawl	2	2
19.	263-171	SPRING-Pawl		2
	263-164	SPRING-Pawl	2	
20.	304-337	WASHER LOCK-Flywheel	1	1
21.	304-318	WASHER-Lock	2	2
22.	304-377	WASHER-Plain	2	2
23.	304-412	WASHER-Steel Retaining	1	1
24.	304-411	WASHER-Wave	1	1
25.	304-528	WASHER-Lead	1	1

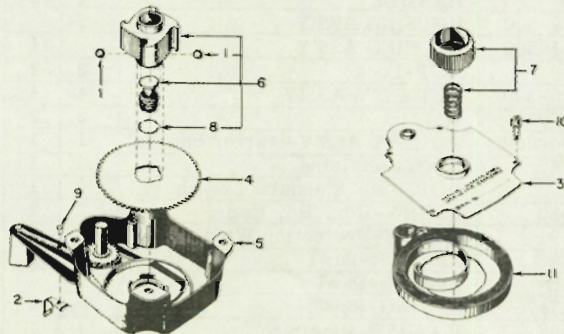


			265-215-500	
			265-200-500	
Ref. No.	Part Number	Description		
1.	157-2	ACTUATOR	1	
	157-1	ACTUATOR		1
2.	*265-197	CUP-Starter	1	
	*265-198	CUP-Starter		1
3.	121-6	HANDLE	1	1
4.	124-8-500	HOUSING		1
	124-6-500	HOUSING	1	
6.	157-129-500	PAWL & PIN ASS'Y	1	
	157-352-500	PAWL & PIN ASS'Y		1
7.	219-154-500	PULLEY ASS'Y	1	1
8.	232-147	RING-Retaining	1	1
9.	232-35	RING-Retaining	1	1
10.	246-7	ROPE	1	1
11.	258-985	SCREW	1	1
12.	304-624	SPACER	1	1
13.	263-133	SPRING-Actuator	1	1
14.	263-79	SPRING-Recoil	1	1
15.	304-320	WASHER	1	1



			265-206-500	
Ref. No.	Part Number	Description		
1.	20-208	BALL-Bearing		2
2.	81-167	CLIP-Handle		1
3.	45-384-500	COVER ASS'Y-Bottom		1
4.	106-259	GEAR		1
5.	124-162-500	HOUSING ASS'Y		1
6.	265-217-500	PLUNGER ASS'Y		1
7.	265-241	RATCHET & SPRING KIT		1
8.	232-157	RING-Retaining Ball		1
9.	244-47	RIVET-Clip to Handle		1
10.	258-918-500	SCREW & L'WASS'Y-Cover		4
11.	263-336-500	SPRING ASS'Y-Power		1

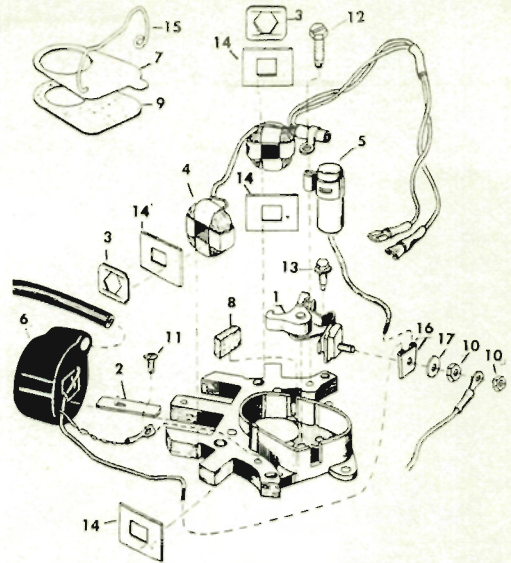
IMPULSE STARTER



A. C. LIGHTING COIL

268-19-500

Ref. No.	Part Number	Description	Qty.
1	135-7-500	BREAKER POINTS ASS'Y	1
2	81-20	CLIP - Coil Holding	1
3	81-164	CLIP - Generator Coil Ret.	2
4	135-263	COIL ASS'Y - Generating used on A. C. lighting (Inc. Lead Wires)	1
5	135-265-500	CONDENSER	1
6	135-13-990	COIL	1
7	45-15	COVER - Dust	1
8	94-198	FELT - Cam Follower	1
9	94-241	GASKET - Dust Cover	1
10	183-21	NUT - Shtg. Wire to Stator	2
11	258-77	SCREW	1
12	258-299	SCREW - Condenser to Plt.	1
13	258-297-500	SCREW - Points to Plate	1
14	259-583	SHIELD	4
15	263-10	SPRING - Dust Cover	1
16	307-230	TERMINAL - Condenser	1
17	304-290	WASHER - Terminal Cond.	1



MODEL VARIATIONS

E65 & E65-1000

SECTION II DIVISION
E65
E65-1000
ISSUED AUG. 1966

The adaptation of Clinton Engines to a wide variety of uses, results in what is known as Model Variations. Following is a list of Models produced to date. Opposite each Engine Model listed are the Part Numbers required in addition to or in place of standard parts. Refer to Basic Parts List for parts not listed in the Model Variations.

See Page C of this Manual on "How to Identify Your Clinton Engine."

MODELS	CRANKSHAFT	NOTES	REPL. ENGINE #	SHORT BLOCK	MODELS	CRANKSHAFT	NOTES	REPL. ENGINE #	SHORT BLOCK
E-65 L.H.	46-674		None	None	E-65-1102	46-674	1	None	None
E-65 R.H.	46-675	8, 9	None	None	E-65-1103	46-867	5, 6, 7	None	None
E-65-1000	46-674		None	None	E-65-1140	46-674		None	None
E-65-1100	46-674	1, 2, 3	None	None	E-65-1157	46-675	8, 9	None	None
E-65-1101	46-674	1, 4	None	None					

E-65 & E-65-1000 SERIES NOTES

- Note 1. Use 83-103-500 Flywheel, 307-298 Sleeve-Insulating, 157-375 Cam-Breaker, 268-19-500 Magneto Ass'y, and 307-338-500 Wire Shorting. See Page 7 for exploded view and Parts List of Magneto Ass'y.
- Note 2. Use 39-766-990 Carburetor, 69-5 Connector-Carburetor, 2-139 Body Air Cleaner, and 216-26 Plug-Induction Bracket (Impulse Line Hole).
- Note 3. Use 265-206-500 Impulse Starter, 265-106-500 Cup-Impulse Starter, 304-552 Spacer Starter Cup, 257-30 Screen-Rotating. Note: Later production engine will be equipped with standard Recoil Starter. See Basic Parts List for part number.
- Note 4. Use 26-655-500 Bracket Ass'y-Induction, 39-875-500 Carburetor Ass'y, 69-5 Connector-Carburetor, and 158-432 Tube-Bleeder (Crankcase).
- Note 5. Use 215-504-500 Bearing Plate Ass'y, 94-175 Oil Seal, 157-126-500 Lever-Speed Control, 304-586 Washer, 258-247-500 Screw-Lever Hold Down, 258-199 Screw-Lever Stop, 183-21 Nut, 203-91 Pin-Pivot (Air Vane), 107-28 Vane-Air, 159-157 Link-Governor, 263-408 Spring-Governor, 83-12-500 Flywheel, 267-82-500 Spark Plug, and 307-348-500 Lead-Hi-Tension.
- Note 6. Use 26-640 Induction Bracket, 39-828-500 Carburetor, and 69-24 Connector-Carburetor.
- Note 7. Use 259-744-500 Housing-Blower, 277-471-500 Tank Fuel, 293-37 Valve-Fuel (Shut-Off), (2) 26-168 Strap-Tank, 258-185-500 Screw-Strap, (2) 183-53 Nut, 45-401-500 Cap-Fuel Tank, 158-25 Line-Fuel, (2) 304-88 Washer, (2) 258-573 Screw-Tie Strap, 258-280-500 Screw, and 259-7 Deflector-Cylinder.
- Note 8. Use 215-162-500 Plate Ass'y-Bearing, 157-31 Cam-Breaker, 83-62-500 Flywheel Ass'y, 259-457-500 Housing-Blower, and 259-44 Deflector-Cylinder.
- Note 9. Use 265-160-500 Starter-Recoil Type (A, B, & C), 265-130-500 or 265-29-500 Starter-Recoil Types (D, E, F & G). See Page 5 and 6 for exploded view and Parts List.

